

P/N:20031200000129



Installation Manual

S800

Countertop Payment Terminal

PAX TECHNOLOGY LIMITED reserves the right to change product technology specifications without notifying.



PAX TECHNOLOGY LIMITED

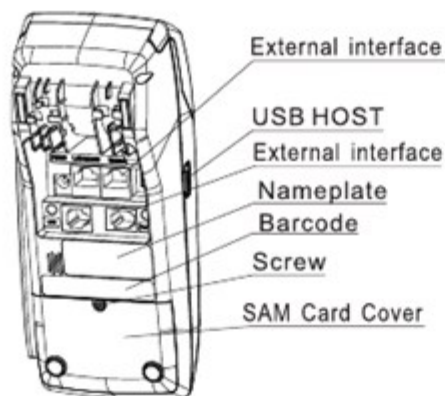
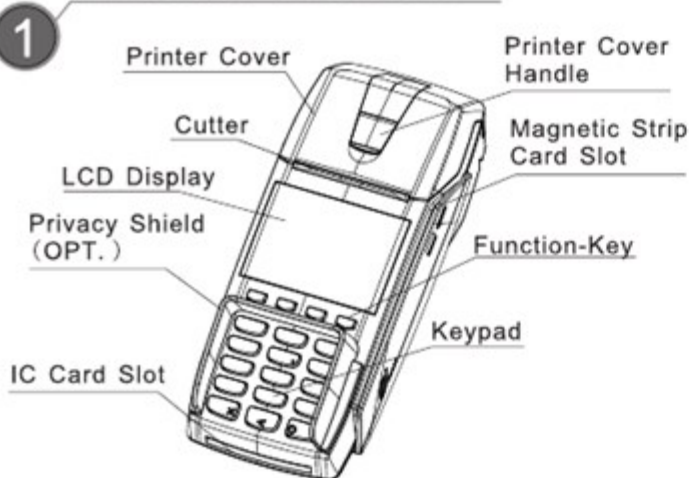
Room 2416, 24/F., Sun Hung Kai Centre, 30
Harbour Road, Wanchai, Hong Kong
Tel: +852-2588 8808 Fax: +852-2802 3300
E-mail: daniel@pax.com.hk
Website: www.pax.com.hk



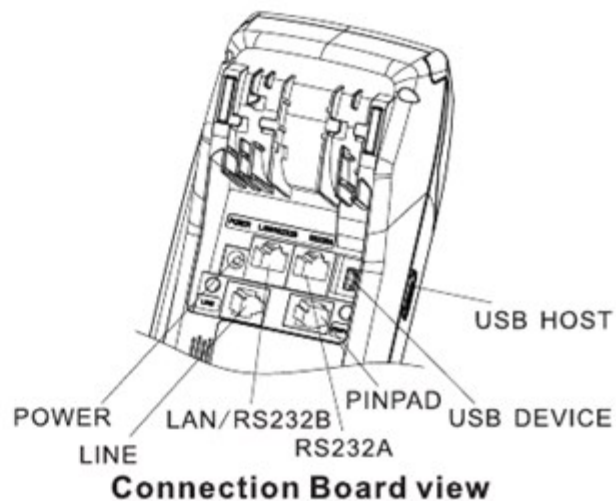
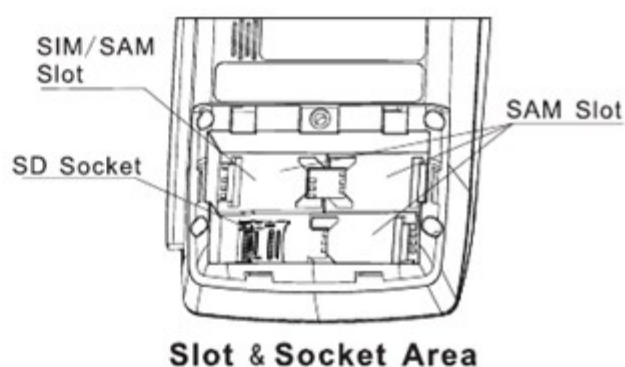
PAX TECHNOLOGY LIMITED



Product overview



1



2

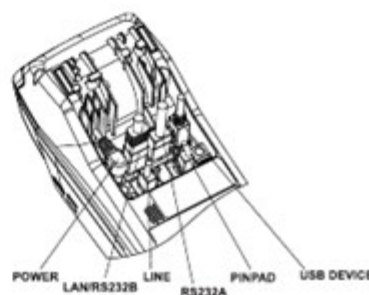
Installation

2

- 1) Place S800 on table.
- 2) Connect AC plug of power adaptor into AC socket.
- 3) Connect the communication port:
E.g. The base communication port is Modem
Plug one end of RJ-11 telephone line into the line port of the connection board and the other end into the telephone line outlet.
E.g. The base communication port is Ethernet
Plug one end of RJ-45 Ethernet cable into the LAN port of the connection board and the other end into the standard LAN socket.
- 4) Connect PINPAD (Optional)
Plug the plug of the PINPAD into the PINPAD port of the connection board.
- 5) Connect the serial device with RS232 port of connection board.
- 6) Place printer paper roll into S800
Push the printer cover handle to open the printer cover.
Insert paper roll along the arrow.
Lead the paper out and place the paper on paper cut and push the printer cover downward until a sound of "ka" can be heard.

3

- 7) Turn on S800, the LCD is on, On screen initialization and application interface show on one after another.
- 8) To perform a simulation of transaction successfully thus the S800 installation is OK.



Connection Schematic Diagram

Instruction

3

- 1) Power on/off
Power on 1: Insert the external power adapter plug, the S800 automatically start.
Power on 2: Press the green button(Enter) for about 2 seconds until LCD is on, the POS is on.
Power off: Press the red button(Cancel) for about 2 seconds until the content of display vanishes, the POS is off.
- 2) Magnetic swipe
When pulling a magnetic card along the slot, make the

4



magnetic stripe face the machine. Bi-directional pulling the magnetic card is acceptable. It is recommended from up to down, and with a steady speed.

3) IC card operational description

When insert a card, make the contact of the card upward. Gently insert and withdraw the card in order to protect the contact on card and IC card connector.

4) Tear paper operation

Hold the end of paper along with the paper cutter as an angle of 45 degree and swiftly and evenly tear the paper off.

Specifications

4

Basic Configuration

- CPU: 32-Bit ARM11 CPU
- Memory: 64MB DDR RAM 128MB NandFlash
- Display: 2.8 Inch 320x240 TFT LCD;
LED Backlight
- Keypad: 10 alphanumeric keys;
9 functional keys
- Audio: Built-in Speaker, Support real voice,
Adjustable volume
- Magnetic card reader: Track 1/2/3 encryption magnetic
head,bi-directional swipe
- IC card reader: 1, EMV2000 compliant

- SAM slots: 3or2,
ISO7816
- Peripheral Port: 1 RS232 or 2(no LAN), 1 PinPad,
1 USB Device, 1 USB HOST,
1 DC-IN, 1 Micro-SD Socket
- Printer: High speed silent thermal printer,
speed 18 lines/second
Paper width, 58mm,
outer diameter: 50mm
- Power Supply: Input: 100-240V AC, 50/60HZ, 1.0A
Output: 9.0V DC 2.5A
- Working environment:
Temperature 0°C~50°C (32°F~122°F)
RH 10%~90%(non-condense)
- Storage environment:
Temperature -20°C~70°C (-4°F~158°F)
RH 5%~95%(non-condense)
- Dimensions: 203mmx86.5mmx70.25mm (L x W x H)
- Weight: 454 g
- Build-in Optional Module**
- Modem: Sync. (HDLC/SDLC up to 9600bps)
Asnyc. (V.92, up to 56Kbps)
- TCP/IP module: 10M/100M
- Wireless Communication: GPRS/WCDMA
- Contactless card reader module: 13.56MHZ,
card sensing area: LCD Screen

Notice at Installation and Use

5

- 1) Use a power bar well grounded and with a fuse in it.
- 2) Protect power supply cable and power adaptor. If they are broken, they are no longer be used.
- 3) Before connect power bar to AC socket, make sure the voltage is correct as POS states.
- 4) POS should be placed steady on table. It is not allowed make it under sun beam, high temperature, high humidity or place full of dust.
- 5) Keep it away from liquid.
- 6) Don't insert hard stuff into port which may damage POS severely.
- 7) When a POS is in failure, please contact designated personnel to maintain it. It is not allowed to repair it on your own.
- 8) When insert paper roll, do not touch paper cutter and protect your finger from being hurt.
- 9) Only use designated paper roll to avoid paper jam or damaging the printer.

PIN Protection

6

The following techniques can be employed to provide for effective screening of the PIN-entry during the PIN entry process. These methods would typically be used in combination, though in some cases a method might be used singly.

Positioning of terminal on the check-stand in such way as to make visual observation of the PIN-entry process infeasible.

Examples include:

1) Visual shields designed into the check-stand. The shields may be solely for shielding purposes, or may be part of the general check-stand design, e.g., used as selling area.

2) Position the PED so that it is angled in such a way to make PIN spying difficult.

Installing PED on an adjustable stand that allows consumers to swivel the terminal sideways and/or tilt it forward/backwards to a position that makes visual observation of the PIN-entry process difficult.

Positioning of in-store security cameras such that the PIN-entry keypad is not visible.

Post instructions around check-stand, in order to inform customers. Instructing the cardholder regarding safe PIN-entry. When the cardholder input his/her PIN, he/she had better use his/her body and hands to prevent visual observation of PIN-entry process.



Note: To protect the process of PIN-entry, it is not limited to the above methods and examples, merchants also can adopt other methods and steps to keep cardholder's PIN safe.

S800 PIN-entry observation corridors v.s. PIN protection methods

Method	Observation Corridors				
	Cashier	Customers in Queue	Customers Elsewhere	On-Site Camera	Remote Cameras
S800 in Check-Stand with shield	H	H	M	H	H
S800 on Adjustable Stand	H	H	H	H	M
Post Customer Instruction	H*	H*	H*	H*	H*

Note *Customer instruction methods are less repeatable and therefore should be used in combination with other methods.

Security levels: L = low , M = medium , H = high

Customer Information

This equipment complies with Part 68 of the FCC rules and the requirements adopted by the ACTA. On the bottom of this equipment is a label that contains, among other information, a product identifier in the format US:PAXMM00BS800. If requested, this number must be provided to the telephone company.

This equipment uses the following USOC jacks: RJ11C

A plug and jack used to connect this equipment to the premises wiring and telephone network must comply with the applicable FCC Part 68 rules and requirements adopted by the ACTA. A compliant telephone cord and modular plug is provided with this product. It is designed to be connected to a compatible modular jack that is also compliant. See installation instructions for details.

The REN is used to determine the number of devices that may be connected to a telephone line. Excessive RENs on a telephone line may result in the devices not ringing in response to an incoming call. In most but not all areas, the sum of RENs should not exceed five (5.0). To be certain of the number of devices that may be connected to a line, as determined by the total RENs, contact the local telephone company. For products approved after July 23, 2001, the REN for this product is part of the product identifier that has the format US: PAXMM00BS800. The digits represented by ## are the REN without a decimal point (e.g., 03 is a REN of 0.3).

For earlier products, the REN is separately shown on the label.

If this equipment US: PAXMM00BS800 causes harm to the telephone network, the telephone company will notify you in advance that temporary discontinuance of service may be required. But if advance notice isn't practical, the telephone company will notify the customer as soon as possible. Also, you will be advised of your right to file a complaint with the FCC if you believe it is necessary.



The telephone company may make changes in its facilities, equipment, operations or procedures that could affect the operation of the equipment. If this happens the telephone company will provide advance notice in order for you to make necessary modifications to maintain uninterrupted service.

If trouble is experienced with this equipment US:PAXMM00BS800, for repair or warranty information, please contact PAX Technology Inc. 631247-9660. If the equipment is causing harm to the telephone network, the telephone company may request that you disconnect the equipment until the problem is resolved.

Connection to party line service is subject to state tariffs. Contact the state public utility commission, public service commission or corporation commission for information.

If your home has specially wired alarm equipment connected to the telephone line, ensure the installation of this US:PAXMM00BS800 does not disable your alarm equipment. If you have questions about what will disable alarm equipment, consult your telephone company or a qualified installer.

FCC Regulations

This device complies with part 15 of the FCC Rules. Operation is subject to the following two conditions: (1) This device may not cause harmful interference, and (2) this device must accept any interference received, including

interference that may cause undesired operation.

This device has been tested and found to comply with the limits for a Class B digital device, pursuant to Part 15 of the FCC Rules. These limits are designed to provide reasonable protection against harmful interference in a residential installation. This equipment generates, uses and can radiated radio frequency energy and, if not installed and used in accordance with the instructions, may cause harmful interference to radio communications. However, there is no guarantee that interference will not occur in a particular installation. If this equipment does cause harmful interference to radio or television reception, which can be determined by turning the equipment off and on, the user is encouraged to try to correct the interference by one or more of the following measures:

- Reorient or relocate the receiving antenna.
- Increase the separation between the equipment and receiver.
- Connect the equipment into an outlet on a circuit different from that to which the receiver is connected.
- Consult the dealer or an experienced radio/TV technician for help.

Changes or modifications not expressly approved by the party responsible for compliance could void the user's authority to operate the equipment.

RF Exposure Information

This device meets the government's requirements for exposure to radio waves.

This device is designed and manufactured not to exceed

the emission limits for exposure to radio frequency (RF) energy set by the Federal Communications Commission of the U.S. Government.

This device complies with FCC radiation exposure limits set forth for an uncontrolled environment.